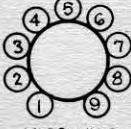
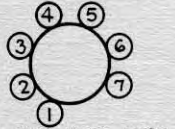
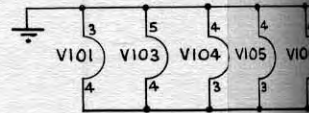


**BOTTOM VIEW OF SOCKETS.**

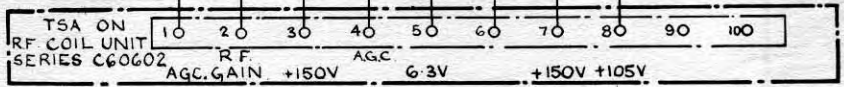
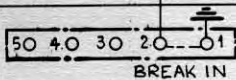
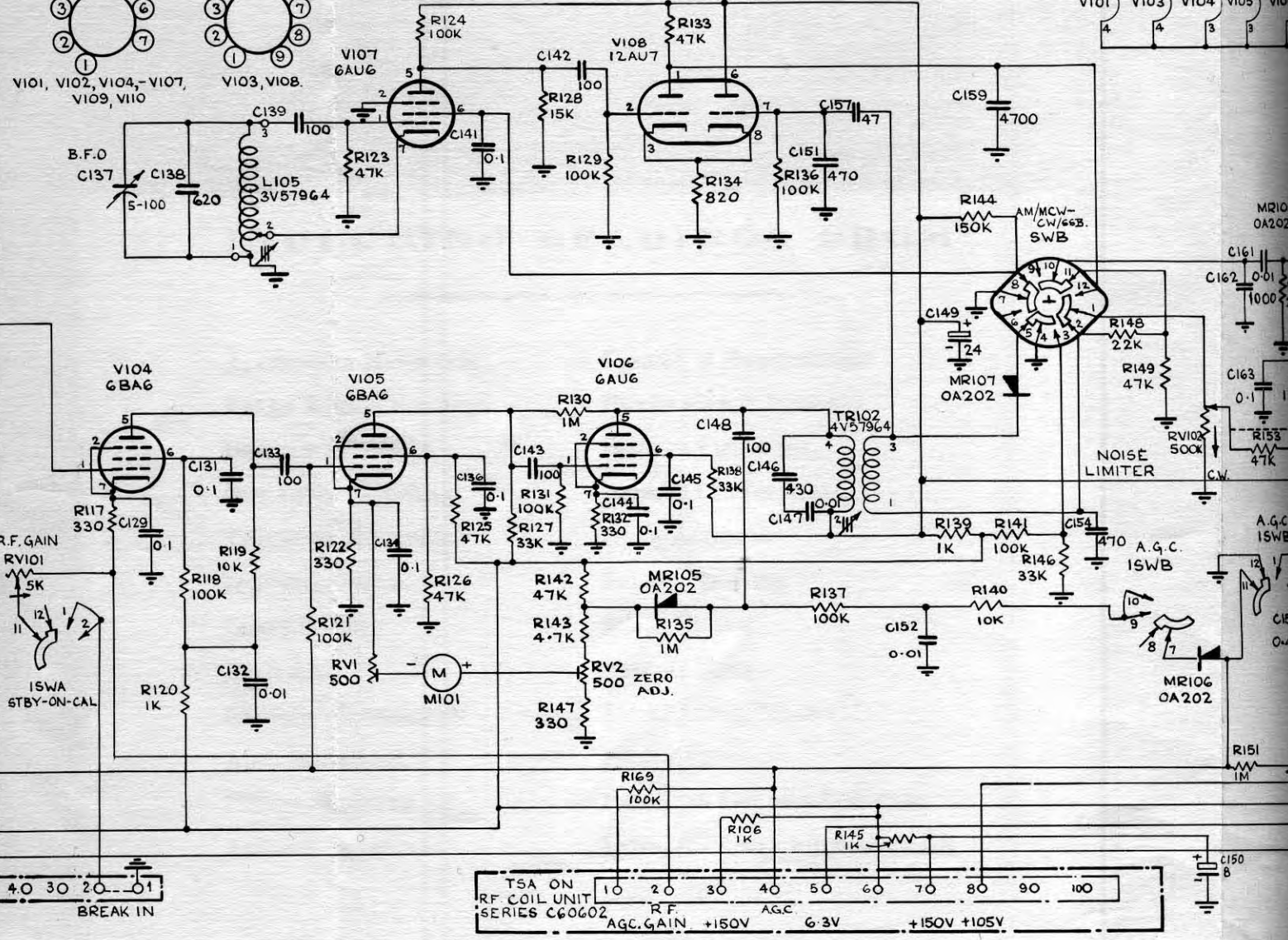


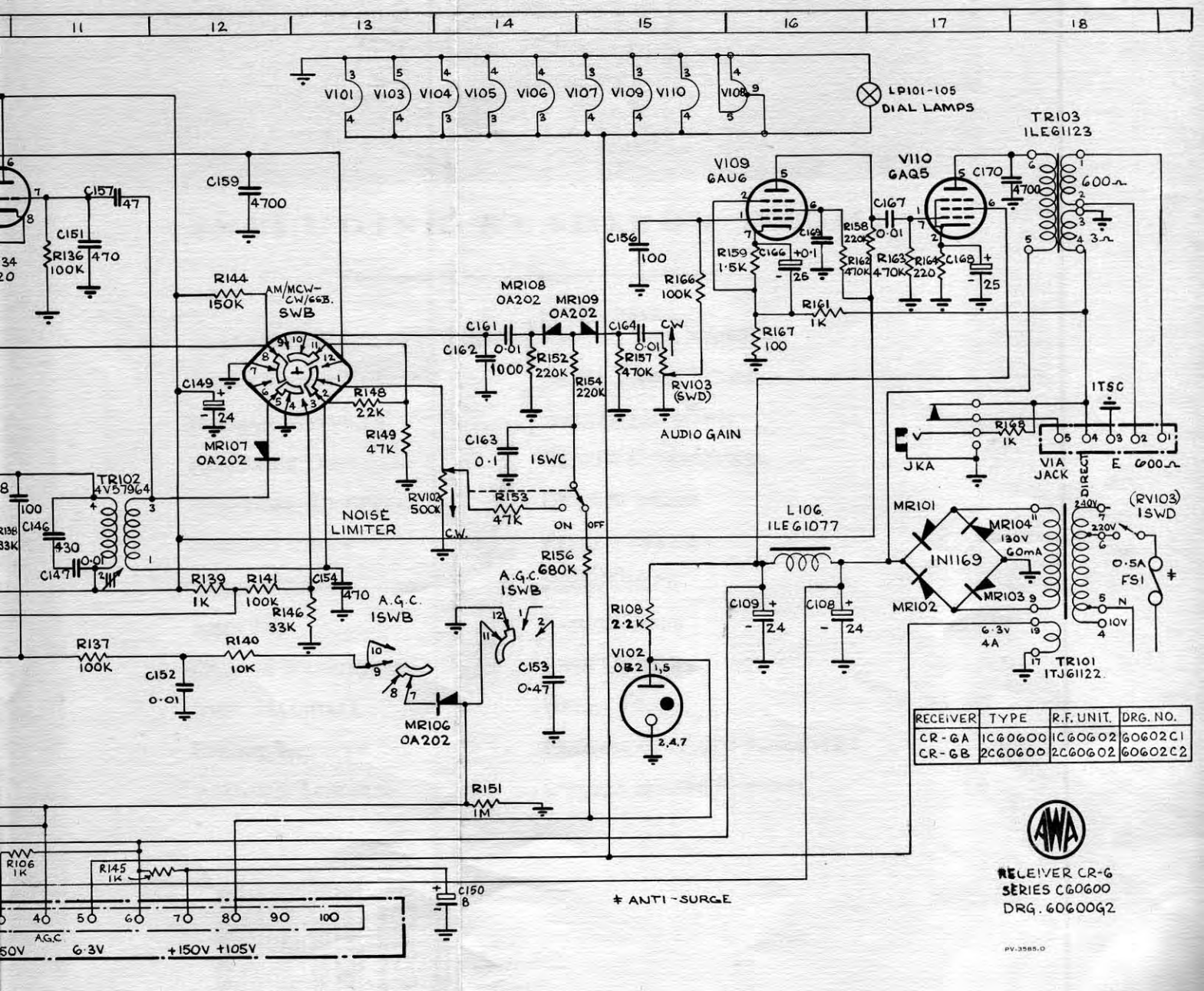
V101, V102, V104, -V107, V109, V110

V103, V108.



V101 V103 V104 V105 V106



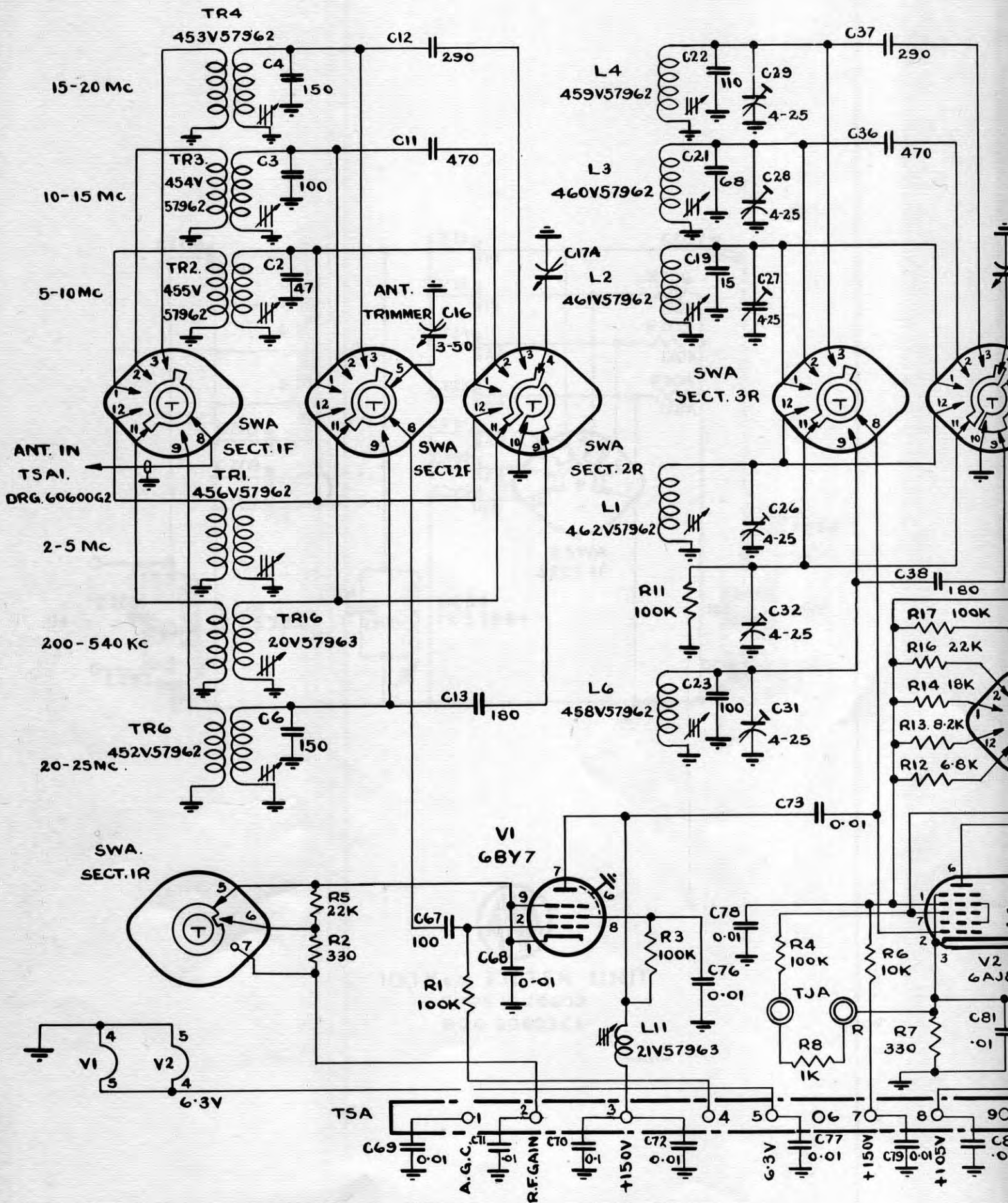


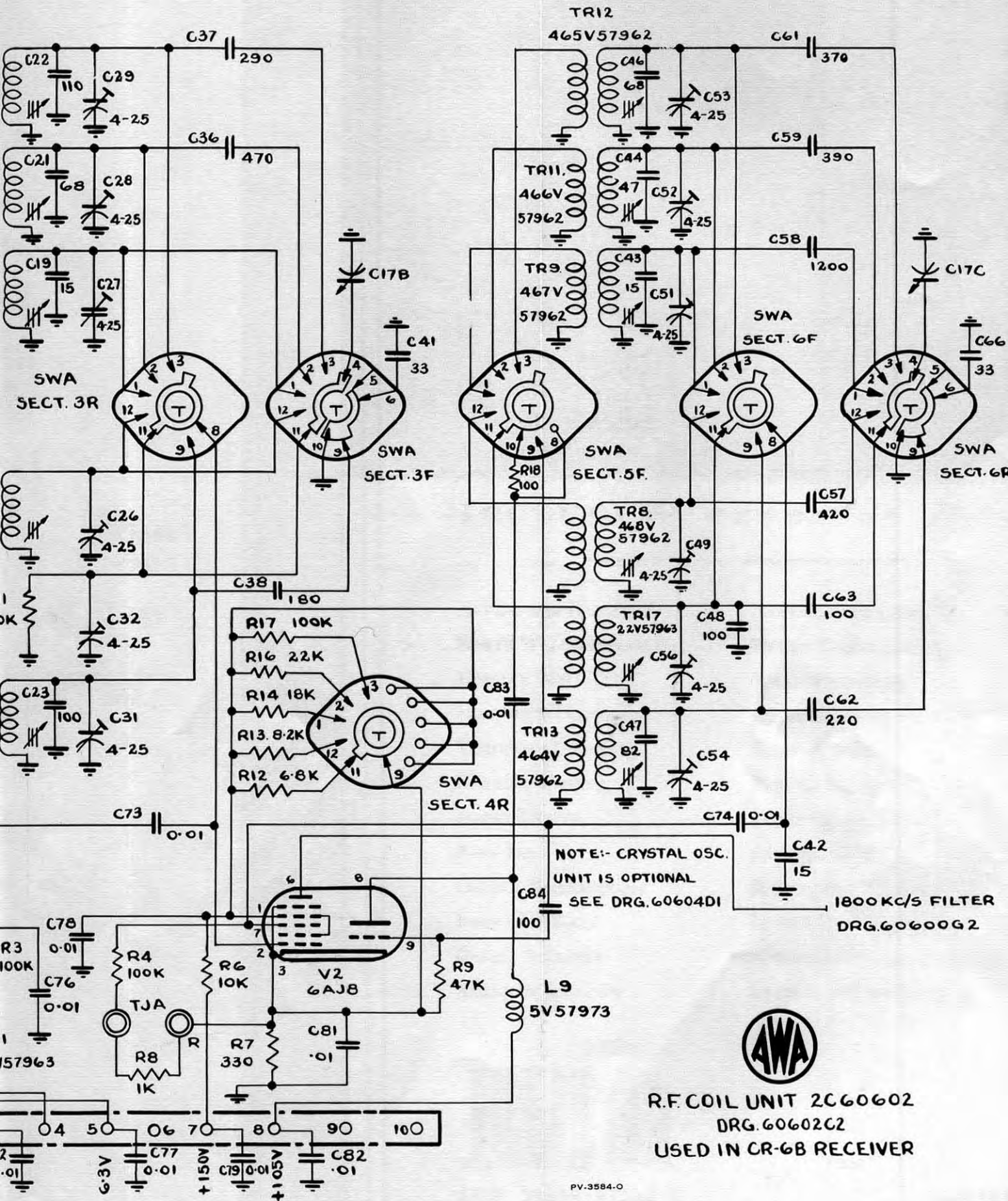
RECEIVER	TYPE	R.F. UNIT.	DRG. NO.
CR-GA	1C60600	1C60602	60602C1
CR-GB	2C60600	2C60602	60602C2

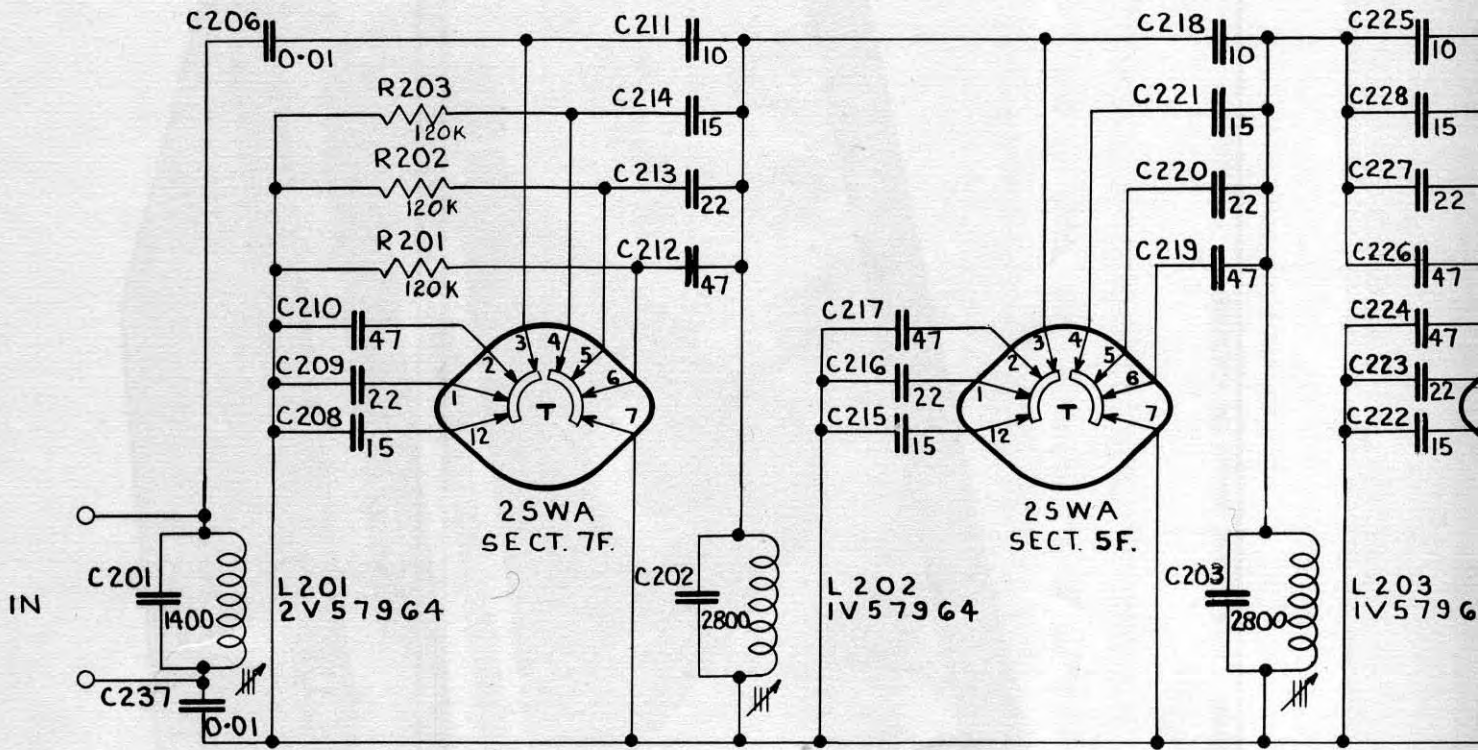


RECEIVER CR-G  
SERIES C60600  
DRG. 60600G2

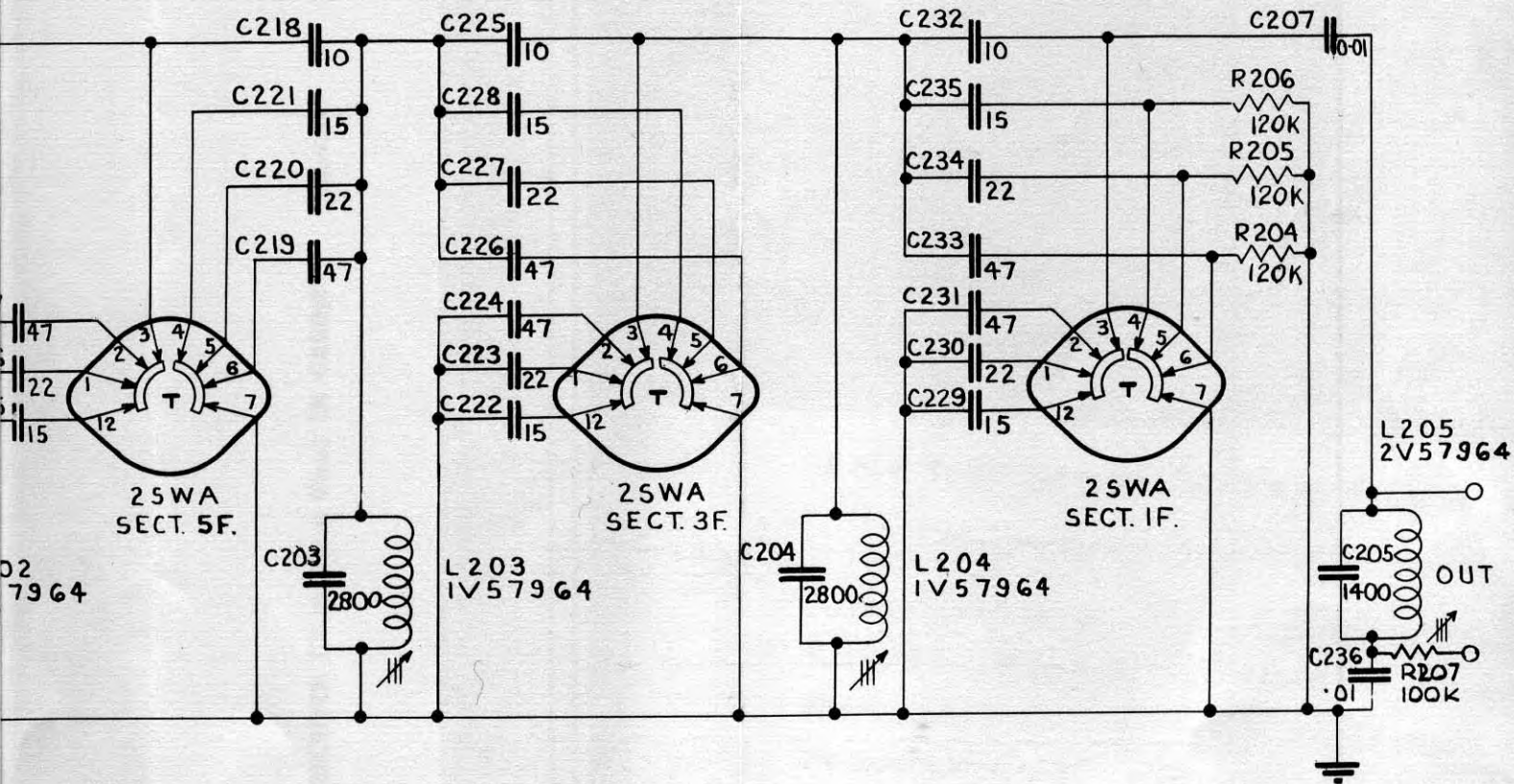












100 Kc/s FILTER UNIT.  
 TYPE IQ6063  
 DRG. 60603C1.

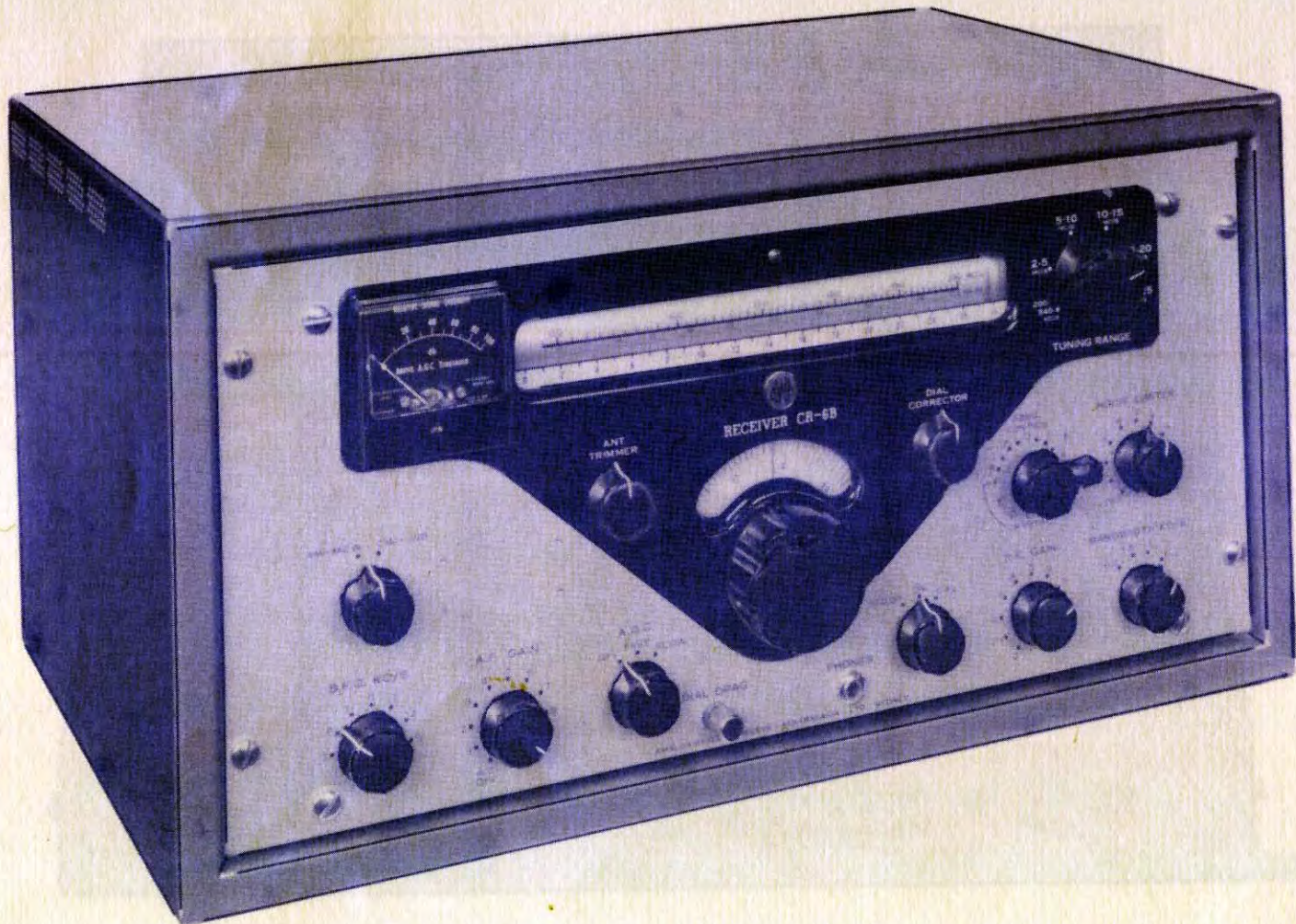


PLATE 1 RECEIVER CR-6 (Front View) IN CABINET

P.V.-625-0



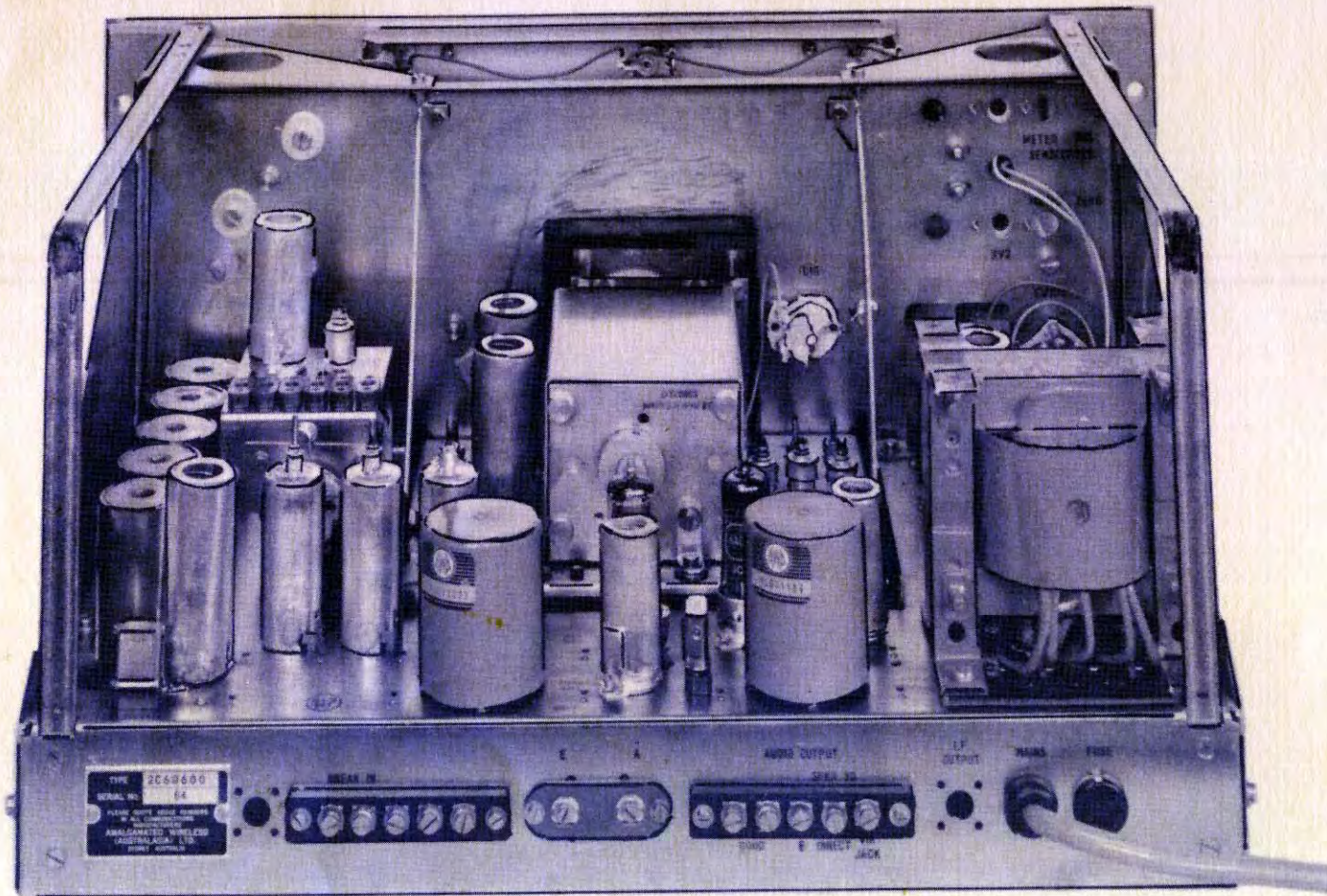


PLATE 2 RECEIVER CR-6 (Rear View)

P.V.-626-O

# **K4XL's** **BAMA**

This manual is provided **FREE OF CHARGE** from the "BoatAnchor Manual Archive" as a service to the Boatanchor community.

It was uploaded by someone who wanted to help you repair and maintain your equipment.

If you paid anyone other than BAMA for this manual, you paid someone who is making a profit from the free labor of others without asking their permission.

You may pass on copies of this manual to anyone who needs it. But do it without charge.

Thousands of files are available without charge from BAMA. Visit us at <http://bama.sbc.edu>